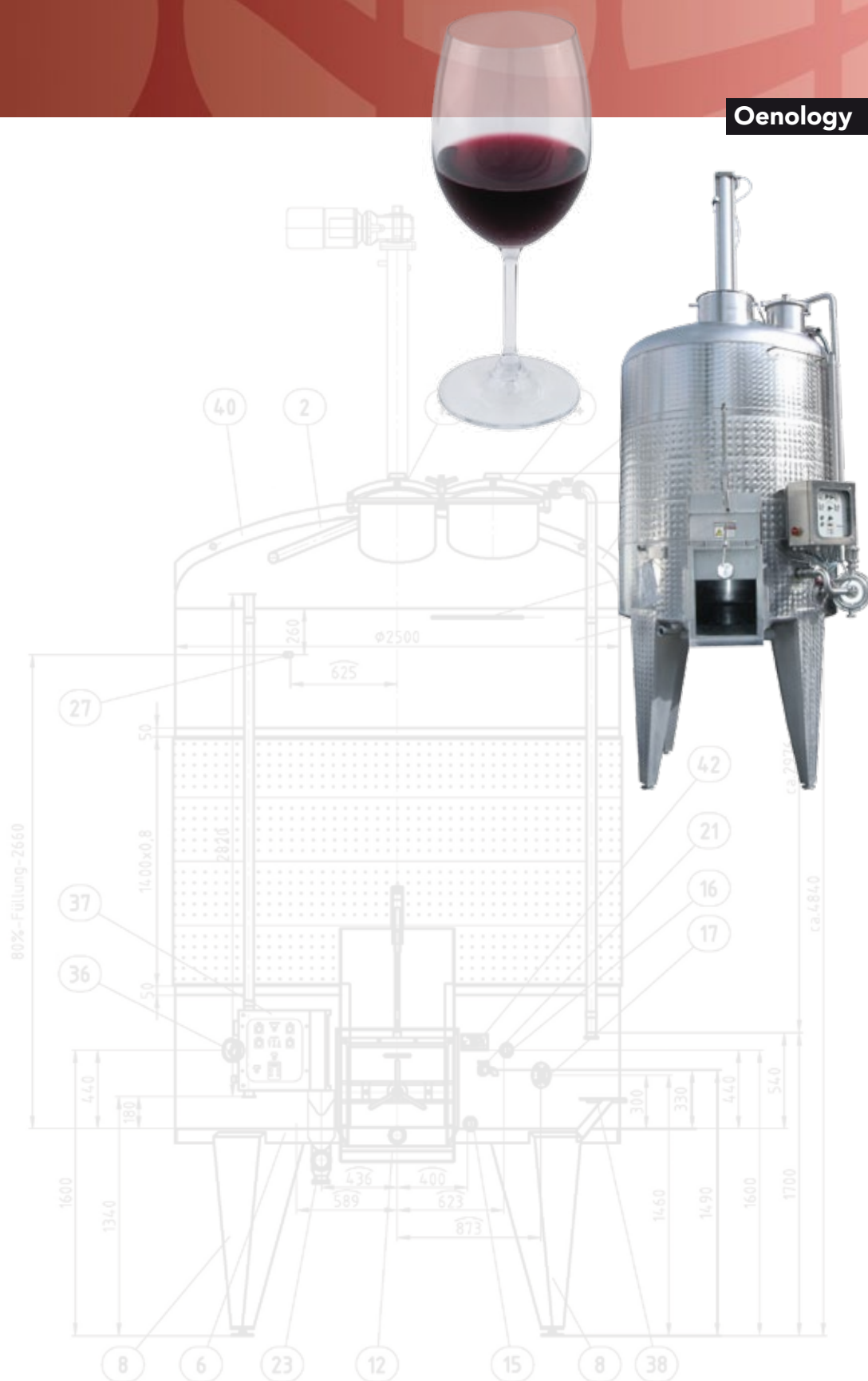


# Individual Custom Solutions

Oenology



**RIEGER**  
FLUID PROCESS GROUP

# Our Services

## Your Needs – Our Solutions

We are certified by:



### Our Product Portfolio for Oenology:



- ▶ **Storage and Fermentation Tanks**
  - in round-horizontal or round-vertical design
  - in rectangular shape
- ▶ **Vessels with Agitators/Stirrers**
- ▶ **Mash Supply Tanks**
  - in round-horizontal or round-vertical design
  - in rectangular shape with pre-strainer
  - Type „Vinostat“, round-vertical with pre-strainer
  - Mash-Agitation Tanks for Heating
- ▶ **Mash Fermentation Tanks**
  - „Vinotop-Fermenter“, round-horizontal, atmospheric
  - Pressure Fermenter „Vinotop Pressure Fermenter“, horizontal or vertical
  - Mash Plunger Type „Full Plunger“
  - Overflow Tanks
- ▶ **Pressure Tanks**
- ▶ **Sparkling Wine Pressure Tanks**
- ▶ **Flash Pasteurizer Tanks for Sussreserve**
- ▶ **Tartar Stabilisation Tanks**
- ▶ **On-Site Installation of large Tanks**
- ▶ **„Cellar-welded“ Tanks**
- ▶ **All Vessels with Cooling/Heating or Insulation**
  
- ▶ **Mash and pomace transport systems**
- ▶ **Access Platforms**
- ▶ **Piping**
- ▶ **Wine Press Houses**
- ▶ **Grape Receptors**
- ▶ **Wooden Storage Casks**
- ▶ **Barrique Storage Racks**
- ▶ **Special Constructions**
- ▶ **Certification accord. to: WHG, SVTI, AD2000/HP0, DIN 18800-7, EN1090, ISO 3834-2, EN 13445, Pressure Equipment Directive 97/23/EG**

# The Company

## You profit from over 50 Years of Experience in Tank and Vessel Construction

### Our Services from A-Z

Structured quotations with consultation from the start. On-site visits, creation of detailed technical drawings, and pre-manufacturing inspections. Shipping arrangements to fit your needs, a smooth hassle-free installation, documentation and certifications.

We take what we can off your hands, so that you can focus what's important – your precious products. Challenge us!



- ▶ 1952 Foundation of the RIEGER Behälterbau GmbH as a cooperative
- ▶ 1962 Start of production of tanks and vessels from stainless steel for the Food and Beverage Industries
- ▶ Over the years the business has been sustainably expanded to include the Chemical and Pharmaceutical Industries
- ▶ 2011 The company is acquired by the KIESELMANN GmbH

Today around 150 employees make RIEGER Behälterbau GmbH one of the leaders in technology and quality in the field of tank and vessel manufacturing.



Production facilities and head office in Bietigheim-Bissingen

# For your Advantage – The FLUID PROCESS GROUP

The FLUID PROCESS GROUP is an association of companies incorporated by the KIESELMANN GmbH. Through this broad competency network we can optimize our synergies to realize complex projects – gladly acting as General Contractor – with resulting advantages for the client.



Rötestraße 19  
74321 Bietigheim-Bissingen, Germany  
Phone +49 (0)71 425 81-0  
Fax +49(0)71 425 81-99  
www.rieger-behaelterbau.de  
info@rieger-behaelterbau.de



**RIEGER Behälterbau GmbH**  
Breweries  
Beverages/Food  
Oenology  
Chemistry/Pharmaceuticals



Paul-Kieselmann-Str. 4-10  
75438 Knittlingen, Germany  
Phone +49 (0)711 7 67 26 60  
Fax +49 (0)70 43 371-125  
www.kieselmann.de  
info@kieselmann.de



**KIESELMANN Anlagenbau GmbH**  
Planning and Engineering  
CIP-Plants  
Flash Pasteurizers  
Pigging Technology  
Process Automation



**KIESELMANN GmbH**  
Innovative, reliable Valves  
Process Components & Fittings  
Beverage Tubes  
Units



Lautlinger Weg 3  
70567 Stuttgart (Möhringen), Germany  
Phone +49 (0)711 7 67 26 60  
Fax +49 (0)711 7 67 26 69  
www.va-group.de  
info@va-group.de



**VA Food Processing GmbH**  
Planning and Engineering  
for Food- and Dairy Process Technology  
Membrane Filtration  
Process Automation



Ferdinand-von-Steinbeis-Ring 31  
75447 Sternenfels, Germany  
Phone +49 (0)70 45 204 98-0  
Fax +49 (0)70 45 204 98-90  
www.aquaduna.com  
info@aquaduna.com



**AquaDuna GmbH & Co KG**  
Cleaning Technology  
Automation Electronics  
Mechatronics  
Medical Technology

**The Division Managers of the company RIEGER Behälterbau GmbH are at your service should you have any questions:**

## Oenology and Beverages

**Marcus Renner**

*Dipl. Engineering (FH) Viniculture and Oenology*

Phone: +49 7142 581 41

Mobile: +49 170 227 67 00

E-Mail: m.renner@rieger-behaelterbau.de

**Volker Mäusle**

Mobile: +49 171 273 77 07

E-Mail: v.maeusle@rieger-behaelterbau.de

## Breweries

**Ortwin Niller**

*Graduated Brewmaster/Business Sc. Engineer*

Phone: +49 81 31 271 66 99

Mobile: +49 171 3 652 567

E-Mail: o.niller@rieger-behaelterbau.de

## Food

**Thomas Kempster**

Phone: +49 7142 581 10

Mobile: +49 170 479 42 89

E-Mail: t.kempster@rieger-behaelterbau.de

## Chemistry, Pharmaceuticals and Cosmetics

**Thomas Kempster**

Phone: +49 7142 581 10

Mobile: +49 170 479 42 89

E-Mail: t.kempster@rieger-behaelterbau.de

**Karl-Heinz Fleschhut**

Phone: +49 7142 581 40

Mobile: +49 175 415 81 00

E-Mail: k.fleschhut@rieger-behaelterbau.de

